

View A - A

Equivalent Oil separator compressor MB23

Fine oil separator seri : A 11427474

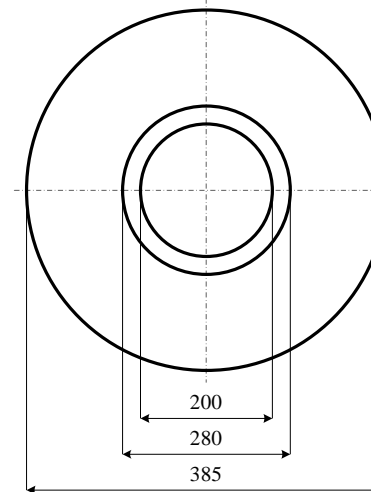
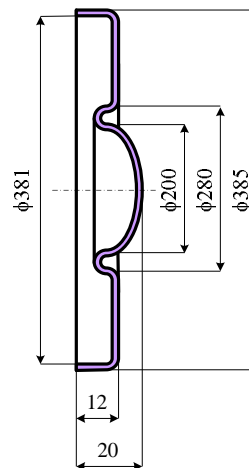
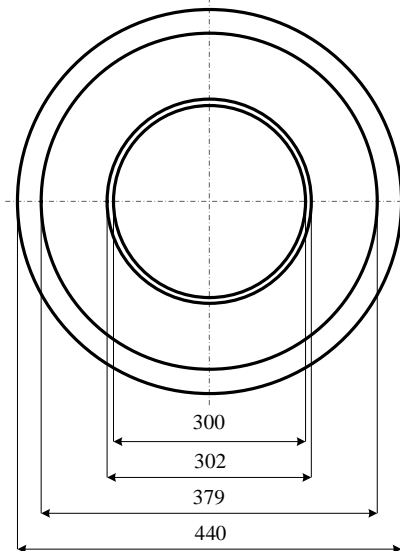
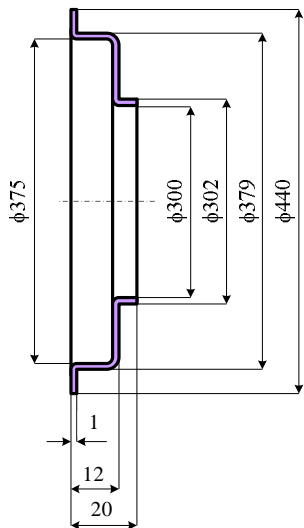
Max.Working Press : 16 bar : 232 PSIG

Max.Working Temp : 120°C : 248°F

Min.Working Temp : 15°C : 35°F

1 Top Cover

7 Bottom Cover



No	Description	Qty	Materials	Remarks
9	Bottom Cover - plate 2 mm	1	SS304	
8	Plate pervorated - 1 mm x φ3	1	SS304	
7	Polyester 10μ	1	Polyester	1 layer
6	Plate pervorated - 1mm x φ3	1	SS304	
5	Paper Tile 10μ	1	Paper	1 layer
4	Paper separator 0,3μ	1	Paper	16 layer
3	Paper Tile 10μ	1	Paper	1 layer
2	Plate pervorated - 1mm x φ3	1	SS304	
1	Top Cover plate 2 mm	1	SS304	

TITLE :

## OIL SEPARATOR

Part No : DF 440 - 300 - 515 OB385

Symbol	DRAW	DESIG	CHECK	APPR
	Agus S		Darusman	
Date	11/12/11			
Scale	None			